

# E-6

## Industrial Warning Siren



- High output warning with minimal power draw and continuous duty design
- For industrial applications where temperature, humidity, and atmospheric conditions threaten
- 45 selectable alarm tones to distinguish this unit from other sounders in the area
- Intense, focused sound for maximum effectiveness with adjustable volume control

The E-6 is a new addition to the Sentry family of industrial notification options and promises to fit the needs of many of today's demanding installations. The E-6 is a powerful alternative to mechanical sirens and should be used where high ambient temperatures prevent the use of electromechanical devices. Steel mills, foundries, and similar environments create special needs for warning devices and the E-6 is just the ticket.

The technology employed in the E-6 features the latest in amplifier and digital to analogue conversion technology and the unit accurately reproduces the sounds made by traditional electro-mechanical signaling devices but in a modern, reliable and cost effective way.

With output levels of up to 126dB(A) at 1 meter, the E-6 is a suitable replacement when conditions becoming demanding. Remember, this unit is also continuously rated, requires zero maintenance and the signal quality will not degrade with age.

The E-6 comes standard with 45 selectable alarm tones to ensure your siren will sound different from other alarm signals in the area. Furthermore, the E-6 can also support a custom programming module, allowing the user to record and input their own tones / sounds.

### Power Options

E-6-DC	10-30 VDC	930 mA
E-6-DC-48V	35-60 VDC	600 mA
E-6-110	110 VAC	240 mA
E-6-220	220 VAC	120 mA

### Features:

- Continuous Duty Rated
- Stainless Steel Bracket
- Ratchet adjustable for 360 degree mounting
- Duplicate cable terminations for daisy chain installations

### Specifications:

Maximum Output:

126 dB(A) @ 1 M

Volume Adjustability (depends on selected tone)

112 dB(A) - 126 dB(A)

Effective Range

300m (Approx)

Ingress Protection

IP66 & IP 67

Housing

High Impact ABS

Operating Temperature

-25 to +55 C

Weight

7 lbs.

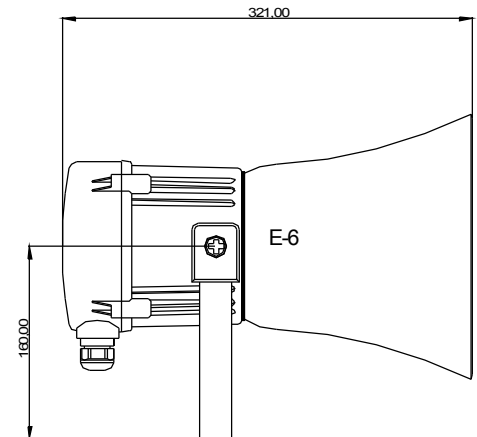
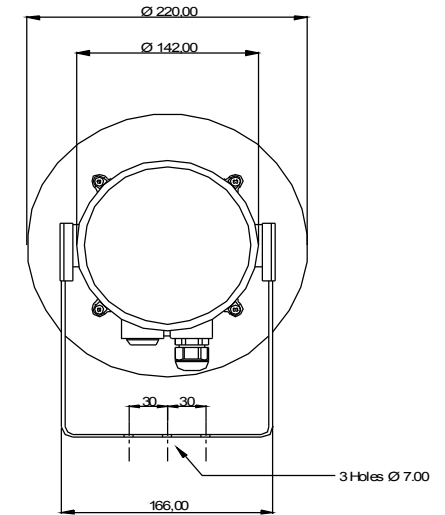
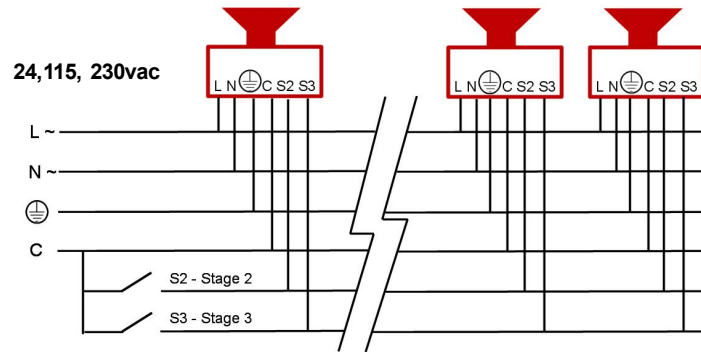
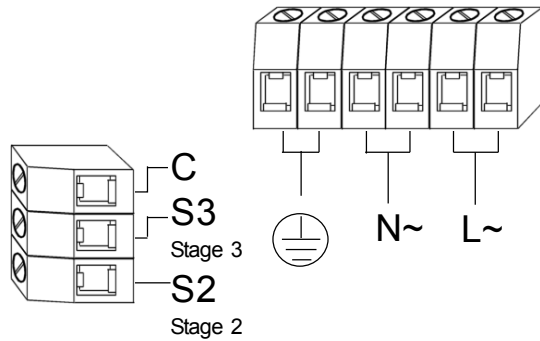
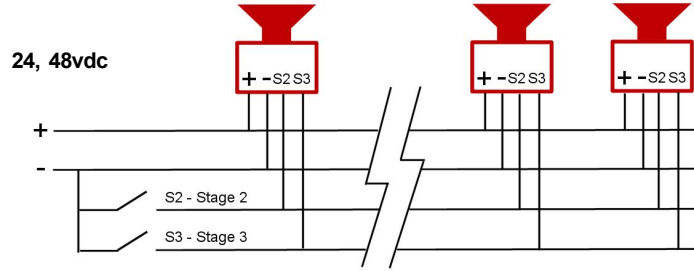
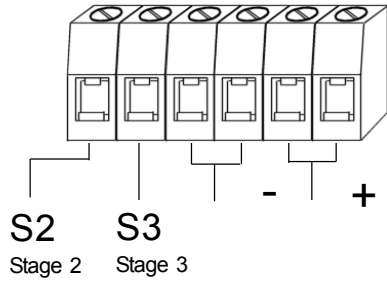
Measurement

13" L x 11" x 9"

# E-6 - 45 Tone Marine grade IP66 & IP67 Siren



E-6



INSTALLATION INSTRUCTIONS

Voltage :	24vdc	48vdc	115vac 50/60Hz	230vac 50/60Hz	24vac 50/60Hz
Voltage range :	10-30vdc	35-60vdc	+/-10%	+/-10%	+/-10%
Current mA :	950mA	600mA	240mA	120mA	1000mA



- Volume Control
- Réglage du volume
- Steuerung der Lautstärke
- Controllo volume
- Controllo do Volume
- Control Volumen
- Volumen control
- Volumeregeling
- Volum kontroll
- Volym kontroll



- Tone Selection
- Sélection de la tonalité
- Tonwahl
- Selezione tono
- Seleção de tons
- Selección Tono
- Valg af tone
- Toonselectie
- Velge tone
- Tonval

Stage 1	Frequency Description	dB @ 1m	Waveform	Switch						Stage 2 (S2)	Stage 3 (S3)	
				1	2	3	4	5	6			
Tone 1	340 Hz Continuous	113dB(A) @ 1m	[Waveform]								Tone 2	Tone 5
Tone 2	800/1000Hz @ 0.25 sec Alternating	121dB(A) @ 1m	[Waveform]	■							Tone 17	Tone 5
Tone 3	500/1200Hz @ 0.3Hz 0.5 sec Slow Whoop	121dB(A) @ 1m	[Waveform]	■							Tone 2	Tone 5
Tone 4	800/1000Hz @ 1Hz Sweeping	121dB(A) @ 1m	[Waveform]	■	■						Tone 6	Tone 5
Tone 5	2400Hz Continuous	125dB(A) @ 1m	[Waveform]					■			Tone 3	Tone 20
Tone 6	2400/2900Hz @ 7Hz Sweeping	123dB(A) @ 1m	[Waveform]					■			Tone 7	Tone 5
Tone 7	2400/2900Hz @ 1Hz Sweeping	125dB(A) @ 1m	[Waveform]					■			Tone 10	Tone 5
Tone 8	500/1200/500Hz @ 0.3Hz Sweeping	121dB(A) @ 1m	[Waveform]	■	■						Tone 2	Tone 5
Tone 9	1200/500Hz @ 1Hz - DIN / PFEER P.T.A.P.	121dB(A) @ 1m	[Waveform]							■	Tone 15	Tone 2
Tone 10	2400/2900Hz @ 2Hz Alternating	126dB(A) @ 1m	[Waveform]	■						■	Tone 7	Tone 5
Tone 11	1000Hz @ 1Hz Intermittent	121dB(A) @ 1m	[Waveform]							■	Tone 2	Tone 5
Tone 12	800/1000Hz @ 0.875Hz Alternating	121dB(A) @ 1m	[Waveform]	■	■						Tone 4	Tone 5
Tone 13	2400Hz @ 1Hz Intermittent	125dB(A) @ 1m	[Waveform]							■	Tone 15	Tone 5
Tone 14	800Hz 0.25sec on, 1 sec off Intermittent	120dB(A) @ 1m	[Waveform]	■							Tone 4	Tone 5
Tone 15	800Hz Continuous	120dB(A) @ 1m	[Waveform]							■	Tone 2	Tone 5
Tone 16	660Hz 150mS on, 150mS off Intermittent	118dB(A) @ 1m	[Waveform]	■	■						Tone 18	Tone 5
Tone 17	544Hz (100mS)/440Hz (400mS) - NF S 32-001	117dB(A) @ 1m	[Waveform]							■	Tone 2	Tone 27
Tone 18	660Hz 1.8sec on, 1.8sec off Intermittent	118dB(A) @ 1m	[Waveform]	■						■	Tone 2	Tone 5
Tone 19	1.4KHz-1.6KHz 1s, 1.6KHz-1.4KHz 0.5s -NFC48-265	126dB(A) @ 1m	[Waveform]							■	Tone 2	Tone 5
Tone 20	660Hz Continuous	118dB(A) @ 1m	[Waveform]	■	■						Tone 2	Tone 5
Tone 21	554Hz/440Hz @ 1Hz Alternating	118dB(A) @ 1m	[Waveform]							■	Tone 2	Tone 5
Tone 22	544Hz @ 0.875 sec. Intermittent	118dB(A) @ 1m	[Waveform]	■							Tone 2	Tone 5
Tone 23	800Hz @ 2Hz Intermittent	120dB(A) @ 1m	[Waveform]							■	Tone 6	Tone 5
Tone 24	800/1000Hz @ 50Hz Sweeping	120dB(A) @ 1m	[Waveform]	■	■					■	Tone 29	Tone 5
Tone 25	2400/2900Hz @ 50Hz Sweeping	124dB(A) @ 1m	[Waveform]	■	■					■	Tone 29	Tone 5
Tone 26	Bell	118dB(A) @ 1m	[Waveform]	■	■						Tone 2	Tone 15
Tone 27	554Hz Continuous	117dB(A) @ 1m	[Waveform]							■	Tone 26	Tone 5
Tone 28	440Hz Continuous	117dB(A) @ 1m	[Waveform]	■	■						Tone 2	Tone 5
Tone 29	800/1000Hz @ 7Hz Sweeping	121dB(A) @ 1m	[Waveform]							■	Tone 7	Tone 5
Tone 30	300Hz Continuous	114dB(A) @ 1m	[Waveform]	■	■						Tone 2	Tone 5
Tone 31	660/1200Hz @ 1Hz Sweeping	121dB(A) @ 1m	[Waveform]							■	Tone 26	Tone 5
Tone 32	Two tone chime.	118dB(A) @ 1m	[Waveform]	■	■						Tone 26	Tone 15
Tone 33	745Hz @ 1Hz Intermittent	116dB(A) @ 1m	[Waveform]							■	Tone 2	Tone 5
Tone 34	1000 & 2000Hz @ 0.5 sec Alternating - Singapore	121dB(A) @ 1m	[Waveform]	■						■	Tone 38	Tone 45
Tone 35	420Hz @ 0.625 sec Australian Alert	118dB(A) @ 1m	[Waveform]							■	Tone 36	Tone 5
Tone 36	500-1200Hz 3.75sec /0.25sec. Australian Evac.	121dB(A) @ 1m	[Waveform]	■	■					■	Tone 35	Tone 5
Tone 37	1000Hz Continuous - PFEER Toxic Gas	121dB(A) @ 1m	[Waveform]							■	Tone 9	Tone 45
Tone 38	2000Hz Continuous	122dB(A) @ 1m	[Waveform]	■	■						Tone 34	Tone 45
Tone 39	800Hz 0.25sec on, 1 sec off Intermittent	120dB(A) @ 1m	[Waveform]	■						■	Tone 23	Tone 17
Tone 40	544Hz (100mS)/440Hz (400mS) - NF S 32-001	121dB(A) @ 1m	[Waveform]							■	Tone 31	Tone 27
Tone 41	Motor Siren - slow rise to 1200 Hz	122dB(A) @ 1m	[Waveform]	■	■						Tone 2	Tone 5
Tone 42	Motor Siren - slow rise to 800 Hz	121dB(A) @ 1m	[Waveform]	■	■						Tone 2	Tone 5
Tone 43	1200 Hz Continuous	122dB(A) @ 1m	[Waveform]							■	Tone 2	Tone 5
Tone 44	Motor Siren - slow rise to 2400 Hz	124dB(A) @ 1m	[Waveform]	■	■						Tone 2	Tone 5
Tone 45	1KHz 1s on, 1s off Intermittent - PFEER Gen. Alarm	121dB(A) @ 1m	[Waveform]							■	Tone 38	Tone 34

Tone Selection / switch setting.

- Switch settings are shown in the tone table. Black squares are the switch levers in the ON position.
- Les réglages des commutateurs sont indiqués sur le tableau de tonalités. Les carrés noirs représentent les leviers des commutateurs en position MARCHÉ (ON).
- Die Schaltereinstellungen sind in der Tabelle der Töne angegeben. Die schwarzen Quadrate kennzeichnen die Ein-Positionen der Schalter.
- Le impostazioni degli interruttori sono mostrate nella tabella dei segnali acustici. I riquadri neri indicano le leve degli interruttori nella posizione ON.
- Los ajustes de interruptor se muestran en la tabla de tonos. Los cuadros negros representan las palancas de los interruptores en la posición ON.
- Os ajustes dos interruptores estão indicados na tabela de sons. Os quadrados pretos indicam que as alavancas dos interruptores estão na posição LIGADA.
- Kontaktdstillingerne fremgår af toneskemaet. Et sort felt betyder, at kontakten er aktiv ("ON").
- De schakelinstellingen staan vermeld in de toontabel. Zwarte vierkanten zijn de schakelaars in de stand AAN.
- Bryterinnstillingen er beskrevet i tonetabellen. De svarte firkantene indikerer bryterposisjonene i PÅ-posisjon.
- Brytarinställningarna visas i signaltabellen. De svarta fyrkanterna är brytarna i ON-läge.

NOTE: Please check factory settings and ensure the correct alarm tone is selected for your country or application.  
Pas op: bij ingebruikstelling dient u zich ervan te overtuigen dat de unit op de juiste toon is ingesteld.



>121dB(A)@1m.  
126dB(A) Max.



ATTENTION

- Disconnect from power source to prevent electrical shock before installing and servicing
- Couper l'alimentation pour empêcher tout choc électrique avant d'effectuer des travaux d'installation et d'entretien.
- Vor der Installation und Wartung von der Spannungsquelle abnehmen, um elektrische Schläge zu vermeiden.
- Prima dell'installazione e della manutenzione spegnere l'alimentazione elettrica per evitare scosse elettriche.
- Desconecte la alimentación para evitar descargas eléctricas antes de la instalación y mantenimiento
- Antes de instalar ou de fazer a manutenção desligue sempre da alimentação elétrica para evitar choques elétricos.
- Strømmen skal afbrydes ved installering og eftersyn for at undgå elektrisk stød.
- Los koppel van de elektrische voeding om elektrische schok vóór installatie en onderhoud te voorkomen.
- Før monteringen eller vedlikehold, må spenningen koples fra for å unngå strømstøt.
- Bryt strömmen innan installation och underhåll för att förhindra elektriska stötar.